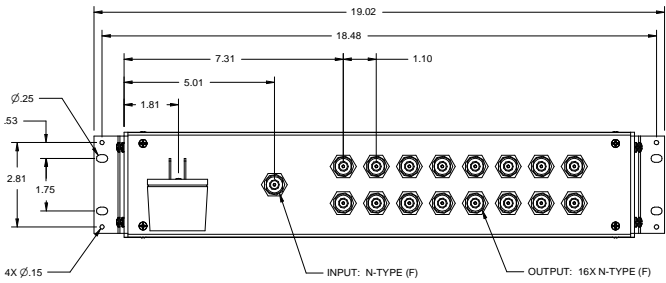
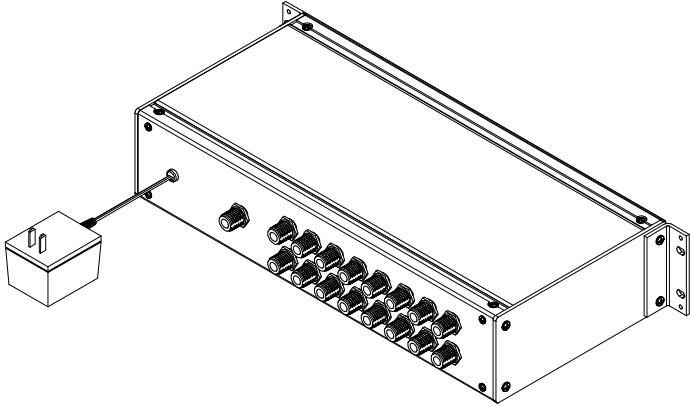
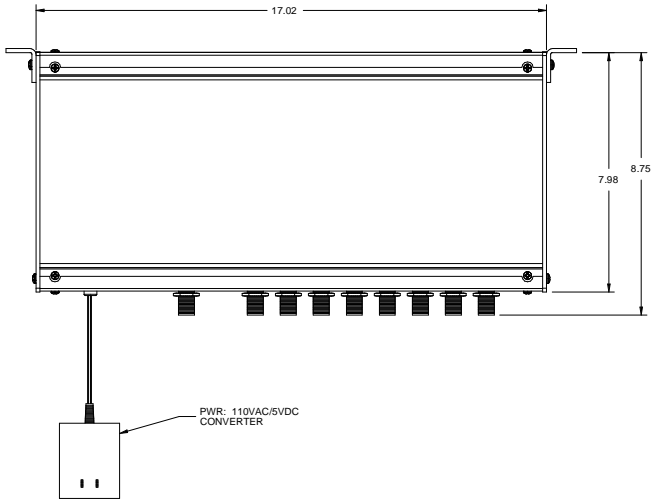


REVISIONS				
ZONE	REV	DESCRIPTION	DATE	APPROVED
	001A	INITIAL RELEASE	01-12-10	DSD
	001	PRODUCTION RELEASE	01-25-10	DSD
	002	PRINT CLARIFICATION	06-04-10	DSD



TOLERANCES UNLESS OTHERWISE SPECIFIED	
LINEAR	ANGULAR
.X ± .1	± 1°
.XX ± .01	RADIUS SEE LINEAR
.XXX ± .005	
.XXXX ± .0005	

DRAWN	DATE
R G STONE	06-04-10
CHECKED	DATE
N SLOAN	06-04-10
QA	DATE
S GENEVA	06-04-10

THE INFORMATION CONTAINED IN THIS DESIGN IS THE SOLE PROPERTY OF GPS SOURCE. USE OF THIS DESIGN IS EXPRESSLY FORBIDDEN WITHOUT THE EXPRESS WRITTEN CONSENT OF GPS SOURCE.

UNLESS OTHERWISE SPECIFIED DIMENSIONS ARE IN INCHES I.W. ASME Y14.5M - 1994	COMPANY NAME
	GPS Source

DESCRIPTION	FSA 1 IN 16 OUT PWR 110/5VDC N(F)
SIZE	C
3RD ANGLE PROJECTION	
GPS FILE NAME	031-FSA-ABS-ABX-BBZ
REV	002

GPS SOURCE PART NUMBER FSA-ABS-ABX-BBZ	FINISH AS PROVIDED	APPROVED D DAWKINS	DATE 06-04-10	SCALE 1:3	MASS 7.65 LBS	SHEET 1 OF 1
---	-----------------------	-----------------------	------------------	--------------	------------------	-----------------