

L1P GPS Passive Antenna

Features

- ❖ Excellent Gain, 3dBiC typ.
- ❖ Multiple Connector Options



Description

The L1P is a passive L1 GPS antenna that is ideally suited for many applications. The L1P is also available with various common RF connector options in order to meet your specific needs.

Please call, fax, email (sales@gpssource.com), or visit our website (www.gpssource.com) for further information.

L1P GPS Passive Antenna

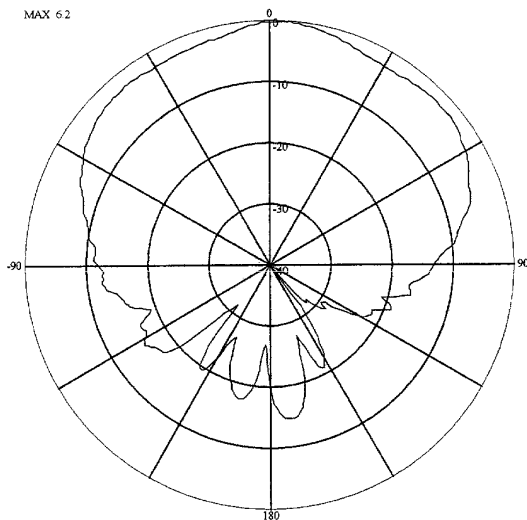
Electrical Specifications, Operating Temperature -40 to 85⁰ C

Parameter	Conditions	Min	Typ	Max	Units
Frequency Range: (Passband)	Ant – Output = 50Ω	1570	1575	1580	MHz
Out Imped.			50		Ω
Gain	Output = 50Ω	2.5	2.8	3	dBiC
Output SWR	Output = 50Ω			2.5:1	-
Polarization	Right Hand Circular				
Shock	40G				
Vibration	6G(RMS) 50 - 2kHz				

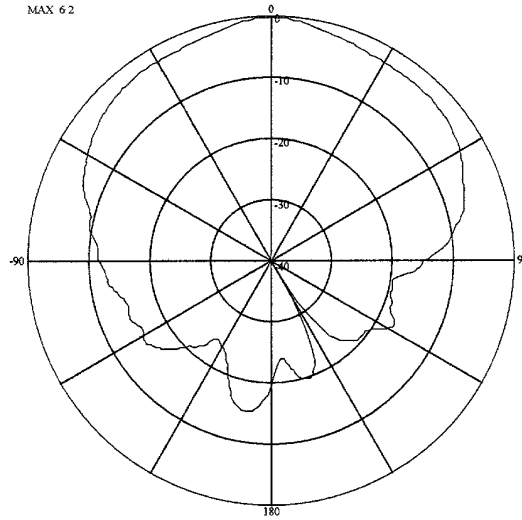
Performance Data

Far Field Patterns – 1575 MHz

Rotating Linear – (E Cut)



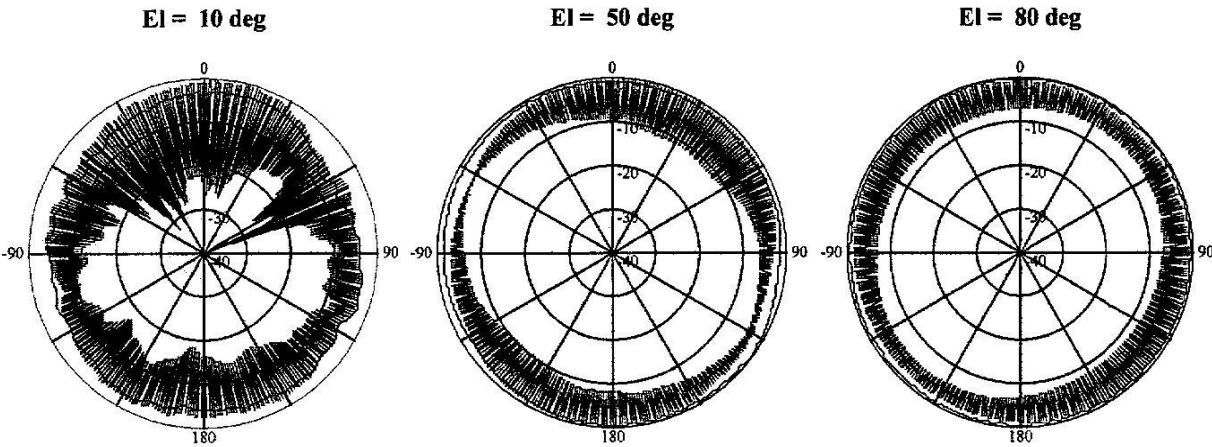
Rotating Linear – (H Cut)



L1P GPS Passive Antenna

Far Field Patterns – 1575 MHz

Azimuth Cuts:



LNA Frequency Response

Notes:

Frequency selectivity of antenna element adds additional out of band rejection.

L1P GPS Passive Antenna

Mechanical:

REVISIONS				
ZONE	REV	DESCRIPTION	DATE	APPROVED
	001	UPDATE DRAWING VIEW & INFO ON TABLE	21 MAY, 07	RHORTON

PATTERN FOR MOUNTING
SCALE 1/1

NOTES

1. SHOWN WITH
TYPE N - FEMALE RF CONNECTOR.

OTHER CONNECTOR OPTIONS AVAILABLE:
SMA - FEMALE,
TNC - FEMALE.

	DRAWN	DATE	TITLE			
	JWK	08FEB2006	ANTENNA DRAWING FOR L1P ACTIVE ANTENNA GPS SYSTEMS (FORMERLY L1P ANTENNA D-3-WXDC)			
	CHECKED		SIZE	PSCM NO.	DWG FILE NAME	REV
PWC			A		031-FAN-AAQ-XAX-RXZ	002
APPROVED			SCALE	GPS SOURCE PART NUMBER		SHEET
			1/2	FAN-AAQ-XAX-RXZ		1 OF 1

L1P GPS Passive Antenna

Part Number

L1P - NF

Product:

Standard GPS L1
Passive Antenna

Connector Options:

NF – N, Female
SM – SMA, Male
SF – SMA, Female
TF – TNC, Female

(Other connectors are available, call for options.)

For help in creating the part number to meet your exact needs, contact us at Sales@gpssource.com or visit our website at www.gpssource.com.