

L1L2-RA-2

RA-2 Remote Antenna

KEY FEATURES

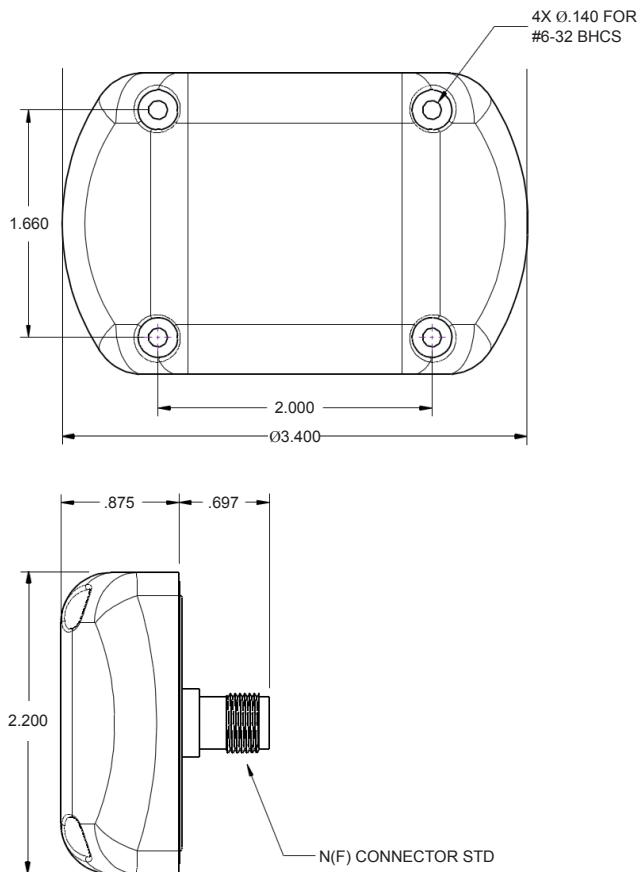
- » Designed Specifically for Operation with the Defense Advanced GPS Receiver (DAGR)
- » L1/L2 Dual Band
- » High Out-of-Band Rejection
- » Spec Compliant Performance over Entire Environmental and Voltage Range
- » Multiple Color Options:
Gloss White, Olive Drab Green, Lusterless Black, Desert Sand
- » Hard Mount with SMA, TNC or N connectors
- » RA-2 Spec Compliant

INTRODUCTION

The L1L2-RA-2 is a dual band active L1/L2 GPS antenna, Mini Arinc configuration, designed for operation with the US DoD DAGR military grade receiver. The L1L2-RA-2 is available as a hard mount, with SMA, TNC, or N connector and various radome colors. It is compact, lightweight and water resistant.

DURABLE, HI PRECISION, BUILT TO LAST

For surface mobility, the GPS Source Mil-Spec DAGR antenna offers exceptional performance with unsurpassed reliability. Designed to support the Warfighter, the portable, yet precise GPS L1/L2 DAGR antenna receives the L1 & L2 signals. It complies with all RA-2 electrical, mechanical, environmental and form factor specifications. The L1L2-RA-2 antenna is equivalent and 100% compliant to NSN 5985-01-521-1775.



L1L2-RA-2

RA-2 Remote Antenna

L1/L2 DAGR Mil Spec GPS Antenna

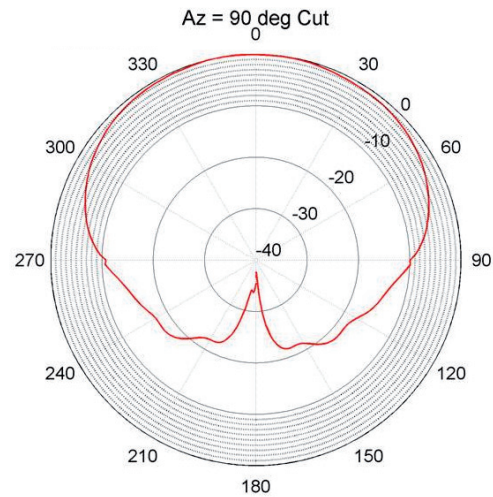
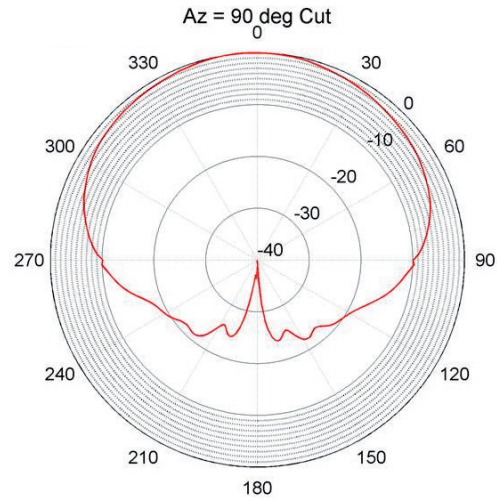
| | |
|------------------------------------|--|
| Operating Frequencies | L1 (1575.42MHz) Bandwidth +/- 15MHz L2 (1227.60MHz) Bandwidth +/- 15MHz |
| Polarization | RHCP |
| Element Gain (Active) at 4 ft G.P. | L1 3dBiC min. L2 3dBiC min. |
| Axial Ratio | 2dB max |
| LNA Gain Output = 50Ω | L1: 26dB typ. L2: 26dB typ. |
| LNA DC Power | 3 - 16 VDC (30 mA max) |
| Noise Figure | 3dB max |
| LNA OP1dB Compression | 8dBm |
| LNA OIP3 | 20dBm |
| Rejection @ +/- 50MHz (Active) | >12dB |
| Rejection @ +/- 100MHz (Active) | >42dB |
| Out Impedence | 50Ω |
| SWR | 2.0:1 |
| Temperature | -54°C to 71°C |
| Altitude | 50,000 ft |

Physical Specifications

| | |
|-------------|---|
| Size | 3.4" x 2.2" Height: 1.52" (38.6mm) with TNC connector |
| Weight | 6.7 oz (190g) |
| Base Finish | Iridite per Mil-C-5441 |
| Connector | N (f), SMA (f), TNC (f) |
| Paint | Color per FED-STD-595B |

Built to Military Specifications

Meets Mil Spec MIL-STD-810, MIL-C-5541, MIL-E-5400, MIL-1-45208A, MIL-STD-461, MIL-STD-1472, DO-160D



ABOUT US

GPS Source is a 100% veteran owned, original equipment manufacturer (OEM) that designs, manufactures and sells high-precision GNSS/GPS technology for the Defense Industry.