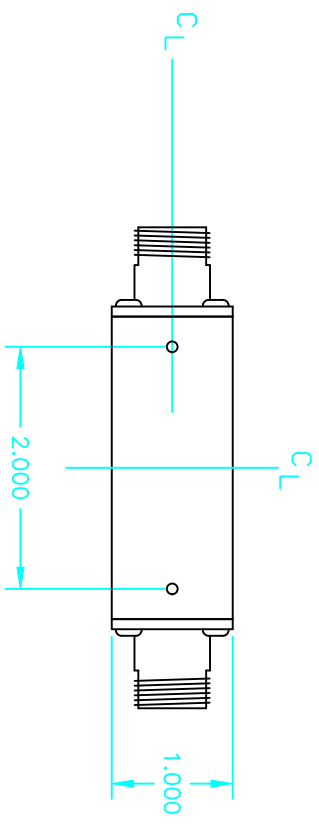
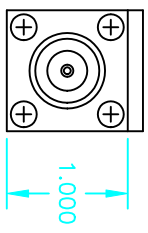
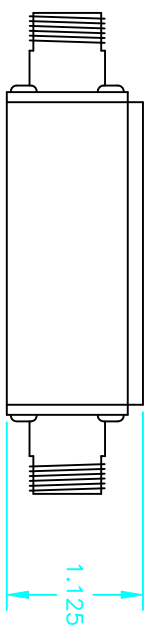
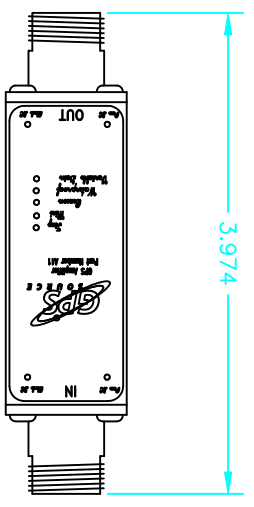


- NOTES:
1. REMOVE ALL BURRS AND SHARP EDGES.
 2. MATERIAL: 6061-T6 ALUMINUM
 3. FINISH: ELECTROLESS NICKEL PLATED MIL-C-26074C, CLASS 1, .00028-.00032 MAX. THICKNESS.



A B C D

8 7 6 5 4 3 2

REV	DESCRIPTION	EGG	BT	DATE
002		-		
003		-		
004		-		
005		-		
006		-		
007		-		
008		-		
009		-		

THIRD ANGLE PROJECTION

DIMENSIONS ARE IN INCHES.

TOLERANCES:
 .XX
 .XXX
 .XXX
 ANGULAR
 DIM. CONCERNING WIDTH, .005
 TOTAL INDUCTION ROUNDT
 SURFACE OR BETTER.
 DIMENSIONAL LIMITS APPLY
 TO FINISHED PART.

TEXT / ASSEMBLY / USED / ON /

MATERIAL:

FINISH:

GPS Source

DRAWN P. COINER / AUG 08

CHECKED

PROJ ENG

APPD

TITLE

1X1 MINI HOUSING, ASSEMBLY

SIZE

A11M-NF_002.dwg

SCALE: 1/1

SHEET 1 OF 1

REV

002