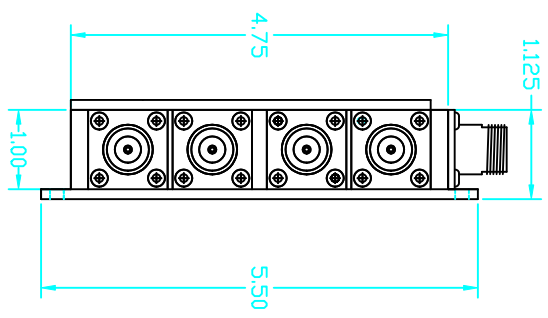
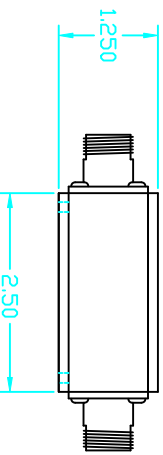
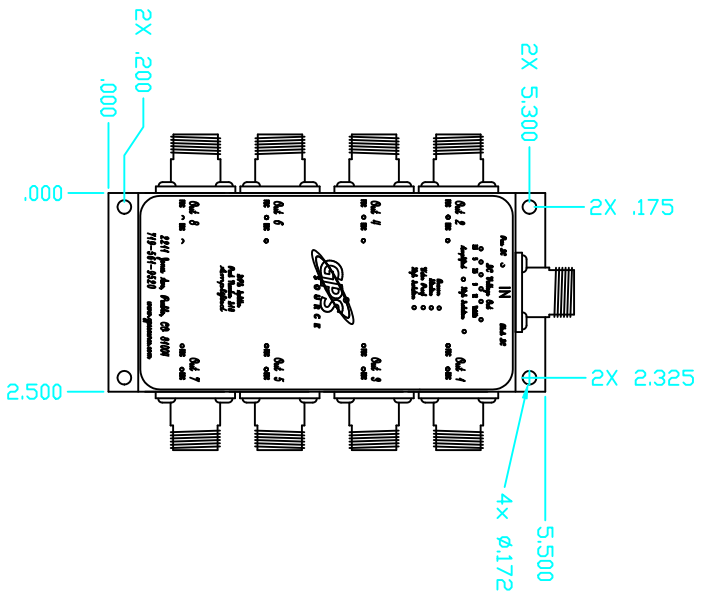
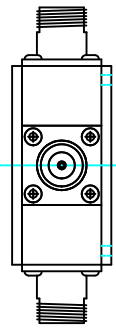
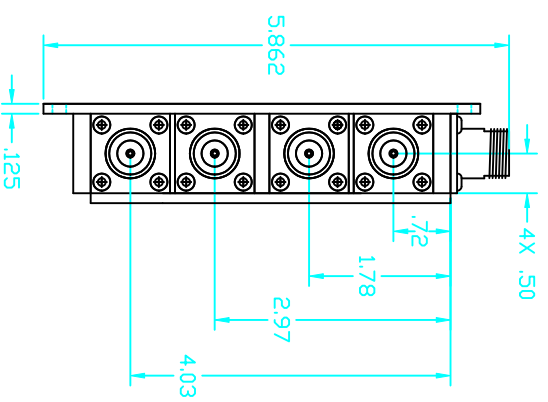


- NOTES:
1. REMOVE ALL BURRS AND SHARP EDGES.
 2. MATERIAL: 6061-T6 ALUMINUM
 3. FINISH: ELECTROLESS NICKEL PLATED MIL-C-26074C, CLASS 1, .00028-.00032 MAX. THICKNESS.



REVISIONS	DATE	BY	APP'D	DESCRIPTION
1				PRELIMINARY RELEASED
2				

NEXT ASSEMBLY USED ON MATERIAL		THIRD ANGLE PROJECTION		DIMENSIONS ARE IN INCHES.		DRAWN A.SOTO		6 AUG 2008		TITLE HOUSING, 1X8 N Connectors	
FINISH				TOLERANCES: XX .01 XXX .005 ANGULAR = ± 1° DIA CONCENTRIC WITH .005 TOTAL INDICATOR ROUNDT. SURFACE 32/ DR BETTER DIMENSIONAL LIMITS APPLY TO FINISHED PARTS.		CHECKED PROJ ENG				REV 003	
						APP'D				SCALE: 1/1 SHEET 1 OF 1	